

Wireless Cigarette Smoke, Vaping, and Bullying Alarm Sensor

Wireless Sensor Network Based on LoRa Technology



RA02G Datasheet

Copyright©Netvox Technology Co., Ltd.

This document contains proprietary technical information which is the property of NETVOX Technology. It shall be maintained in strict confidence and shall not be disclosed to other parties, in whole or in part, without written permission of NETVOX Technology. The specifications are subject to change without prior notice.

Wireless Cigarette Smoke, Vaping, and Bullying Alarm Sensor

Introduction

RA02G is an indoor sensor that detects smoking, noise, and anti-tamper. New functions such as power outage detection, sensitivity adjustment, audio alert customization, and PoE splitter connection are now added. The new RA02G makes indoor monitoring easier and more flexible than you ever imagined.

Features

- Power supplied by 12V power adapter or PoE splitter
- Battery backup power (2* AAA 1.5V batteries)
- Highly accurate and stable smoking sensor
- Sensitivity adjustment for smoking and noise detection
- Upload audio alerts through Type-C cable
- IP5X (not waterproof)
- SX1262 wireless communication module
- Compatible with LoRaWAN™ Class C
- Frequency hopping spread spectrum
- Applicable to third-party platforms: Actility/ThingPark, TTN, MyDevices/Cayenne

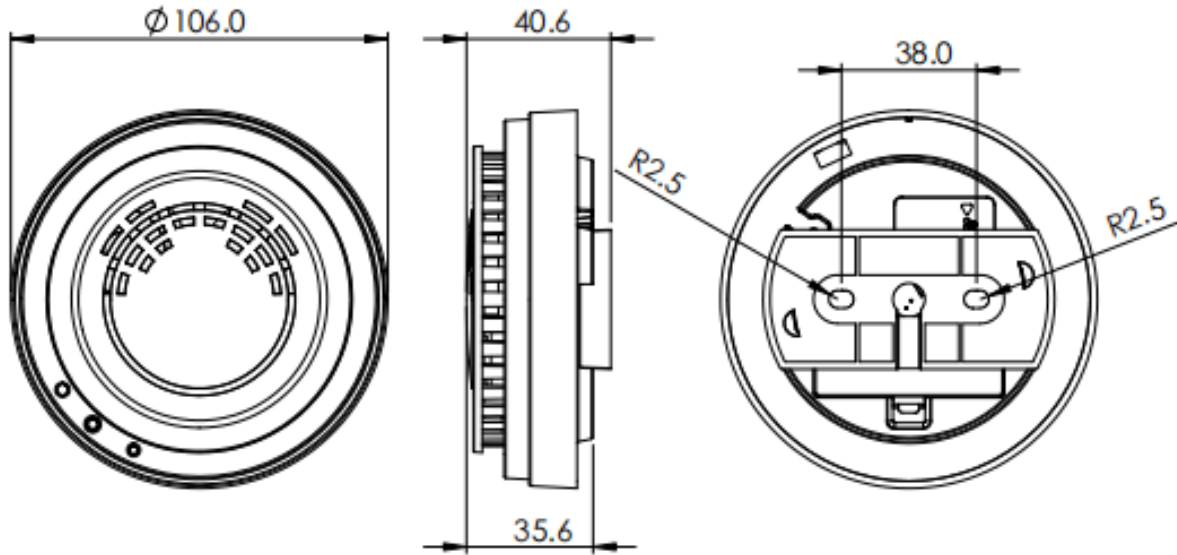
Applications

- Residential buildings, hotels, schools, hospitals, banks, office buildings, libraries, museums, meeting rooms, airports, and stations
- Toilets, elevators, and storage rooms

Wireless Cigarette Smoke, Vaping, and Bullying Alarm Sensor

Dimensions

Ø106mm x 40.6mm



Electrical Specifications

Electric

Power Supply	Power adapter (input: 100–240VAC, 50/60HZ; output: DC 12V/1A)
Battery Backup	2* 1.5V AAA alkaline batteries
Power Consumption	Monitoring: <100mA; Sounding alarm: <200mA
Receiving Current	11mA @3.3V
Transmitting Current	120mA @3.3V

Note: The electrical specifications may vary due to the power supply voltage.

Wireless Cigarette Smoke, Vaping, and Bullying Alarm Sensor**Smoke Detector**

Operating Voltage	5VDC
Operating Current	100mA (typical value)
Comprehensive Response Time	≤10 seconds
Operating Temperature	-10 to +60°C
Storage Temperature	-40 to +80°C
Storage Humidity	0 to 99%
Communication Protocol	UART

Vibration Detector

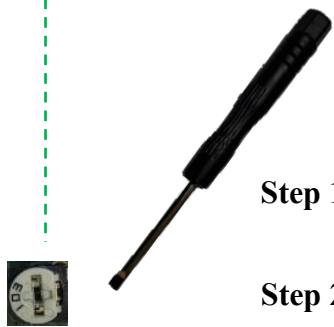
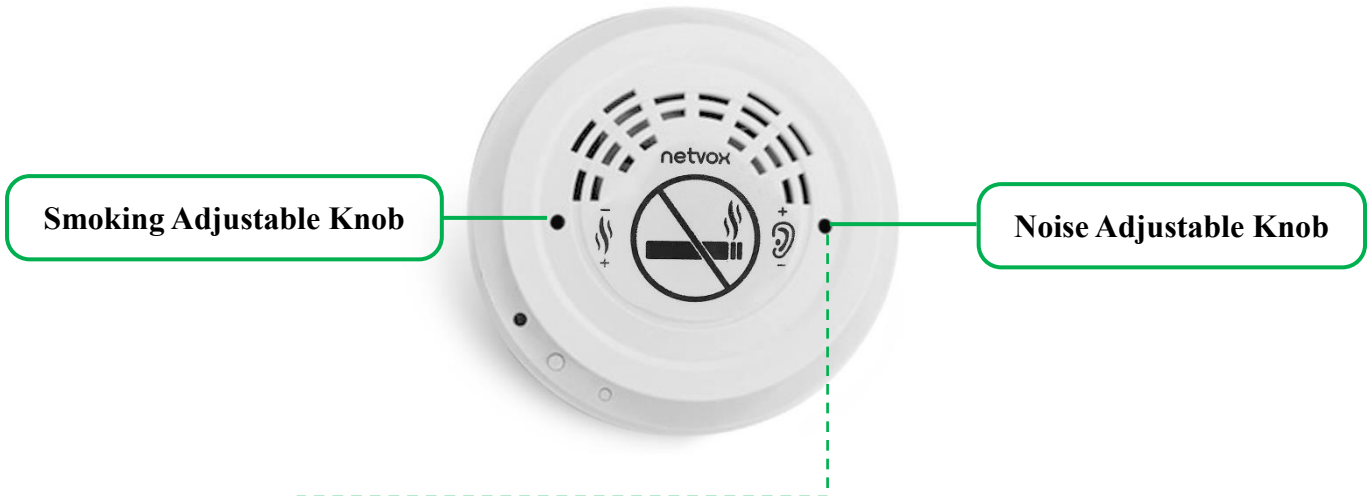
Type	Omnidirectional ball switch
Voltage	<6V
Current	2uA to 10mA
Insulation Resistance	>10MΩ
Trigger Rate	100% (amplitude > 1 mm, frequency > 20 Hz)
Trigger Frequency	>50Hz

Noise Detector

Type	Condenser microphone
Direction	Omnidirectional
Sensitivity	-36 ± 3db
Frequency	20 to 10000Hz
Current Consumption (Max.)	0.5mA
Operating Temperature	-20 to +70 °C
Dimensions	φ9.7 x 6.5 mm

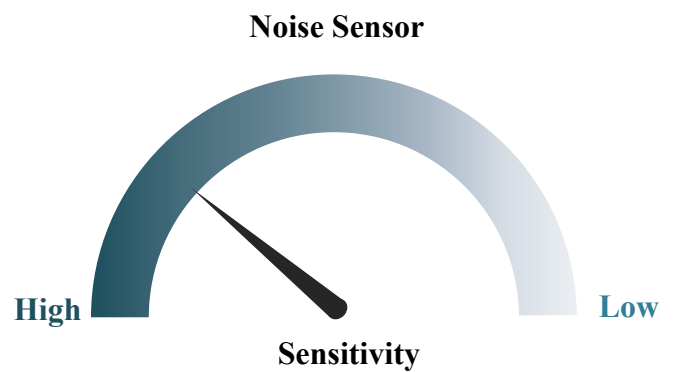
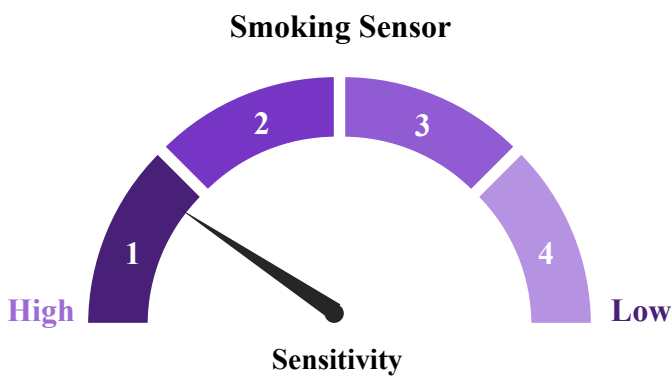
Wireless Cigarette Smoke, Vaping, and Bullying Alarm Sensor

Sensitivity Adjustment



Step 1. Use a small screwdriver and poke in the hole.

Step 2. Slowly turn clockwise to lower the sensitivity.



4 levels (45° for one level)	Level	-
Level 1 > 2 > 3 > 4	Sensitivity	Turn clockwise for lower sensitivity

Wireless Cigarette Smoke, Vaping, and Bullying Alarm Sensor

Testing Results of Noise Sensor

Noise Type	Detectable decibel value (set sensor dB to the lowest)	Detectable decibel value (set sensor dB to the highest)
100Hz	90dB	109dB
1KHz	100dB	>110dB
10KHz	103dB	>110dB
Knocking Sound	73dB	92dB
Music	85dB	>110dB

Note: The testing results were obtained when the horizontal distance between RA02G and noise was 1 meter.

Audio Alerts

The decibel value was tested when RA02G was triggered, and the default audio alerts sounded.

Audio alerts	dB
Smoking alarm	53dB
Noise alarm	62dB
Anti-tamper alarm	62dB

Note:

- (1) The testing results were obtained when the horizontal distance between RA02G and the detector was 1 meter.
- (2) The maximum volume is level 30.

Wireless Cigarette Smoke, Vaping, and Bullying Alarm Sensor

Frequency

Frequency Range	863MHz-928MHz 470MHz-510MHz
TX Power	US915 20dbm AS923 16dbm AU915 20dbm CN470 19.15dbm EU868 16dbm KR920 14dbm IN865 20dbm
Rx Sensitivity	-136dBm (LoRa, Spreading Factor = 12, Bit Rate = 293bps) -121dBm (FSK, Frequency deviation = 5kHz, Bit Rate = 1.2kbps)
Antenna Type	Build-in antenna
Communication Range	10 km (line of sight) Note: The communication distance depends on the environment.
Data Transfer Rate	LoRa: 0.3kbps – 50kbps FSK: 1.2kbps – 300kbps (Note: One modulation is required.)
Modulation	LoRa / FSK
Available Frequency	EU863-870, US902-928, AU915-928, KR920-923, AS923-1, AS923-2, AS923-3, IN865-867, CN470-510 (Note: Configured before shipment)

Physical Properties

Dimensions	Ø106 mm x 40.6 mm
Length of Adapter Cable	1.5m
Ambient Temperature Range	-10°C to +55°C
Ambient Humidity Range	<90%RH (no condensation)
Mounting	Screws