

Wireless 2-Input Push Button Interface

Wireless Sensor Network Based on LoRa Technology



R718T2

Data Sheet

Copyright©Netvox Technology Co., Ltd.

This document contains proprietary technical information which is the property of NETVOX Technology. It shall be maintained in strict confidence and shall not be disclosed to other parties, in whole or in part, without written permission of NETVOX Technology. The specifications are subject to change without prior notice.

Wireless 2-Input Push Button Interface

Introduction

The Wireless 2-Input Push Button Interface allows a notification signal to be sent when connected push button is pushed. When someone is in danger and needs emergency assistance, press the emergency push button device; R718T2 immediately sends an alarm message to the gateway.

Main Characteristic

- Adopt SX1276 wireless communication module
- Compatible with LoRaWAN™ Class A
- IP rating: IP67
- Frequency hopping spread spectrum (FHSS)
- The base is attached with a magnet that can be attached to a ferromagnetic material object
- Configuration parameters can be configured through third-party software platforms, data can be read and alarms can be set via SMS text and email (optional)
- Applicable to the third-party platforms: Actility/ThingPark, TTN, MyDevices/Cayenne
- Low power consumption and long battery life

Note:

Battery life is determined by the sensor reporting frequency and other variables, please refer to http://www.netvox.com.tw/electric/electric_calc.html

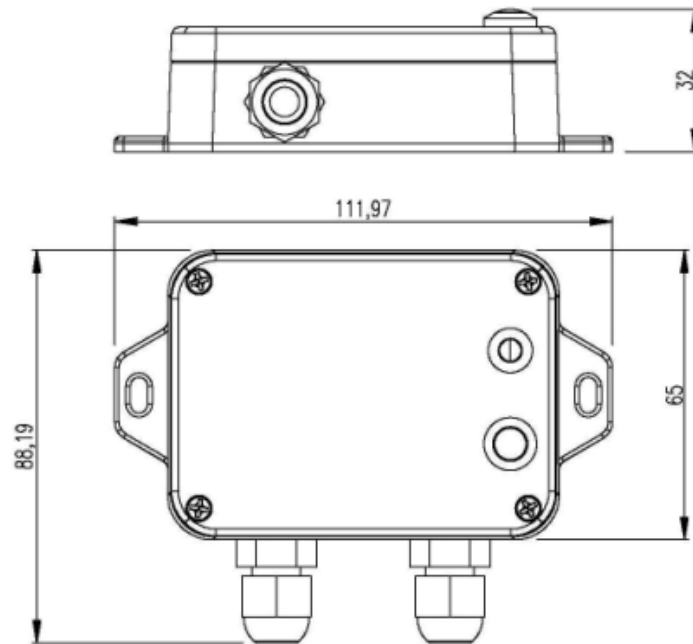
On this website, users can find battery life of various models in different configurations.

Application

- Customer service request button
- Hotel/ motel front desk call button
- Bathroom needs cleaning (service call button)
- Access call button

Wireless 2-Input Push Button Interface

Dimension



Electric

Input Power	2 x 3.6V ER14505 AA lithium batteries (3.6V 2400mah/section)
Sleeping Current	24uA
Wakeup Current	6.3mA/ 3.3V
Transmitting Current (max)	11mA/ 3.3V
Receiving Current (max)	120mA/ 3.3V
Battery Measurement Accuracy	± 0.1V
Low Voltage Threshold	3.2V

* Specific electrical characteristics may vary depending on the power supply voltage

Wireless 2-Input Push Button Interface

Frequency

TX Power	19dBm±1dBm
Receiving Sensitivity	-136 dBm (LoRa, Spreading Factor=12, Bit Rate = 293bps) -121 dBm (FSK, Frequency deviation=5kHz, Bit Rate=1.2kbps)
Antenna Type	Build-in antenna
Communication Distance	10 km (Visible linear obstacle-free transmission distance, actual transmission distance depending on the environment.)
Data Transfer Rate	0.3kbps ~ 50kbps
Modulation	LoRa / FSK (Note: choose one of them)
Supportable LoRaWAN Frequency	EU863-870, US902-928, AU915-928, KR920-923, AS923-1, AS923-2, AS923-3, IN865-867, CN470-510 (Note: The frequency band is optional and needs to be configured before shipment.)

Physical

Dimension	Main Part: L: 112 mm x W: 65 mm x H: 32 mm
Weight	150g
Environment Humidity Range	<90 %RH (No condensation)
Operating Temperature	-20°C to 55 °C
Storage Temperature	-40°C to 85 °C