

Wireless O3 Sensor

Wireless Sensor Network Based on LoRa Technology



Copyright©Netvox Technology Co., Ltd.

This document contains proprietary technical information which is the property of NETVOX Technology and is issued in strict confidential and shall not be disclosed to others parties in whole or in parts without written permission of NETVOX Technology.

The specifications are subjected to change without prior notice.

Wireless O3 Sensor

Introduction

The R718PA3 is a wireless communication device that detects O₃ concentration in ambient air. The body and the O₃ sensor are connected through the RS485 interface, and the detected data is transmitted to other devices through the wireless network.

Main Characteristics

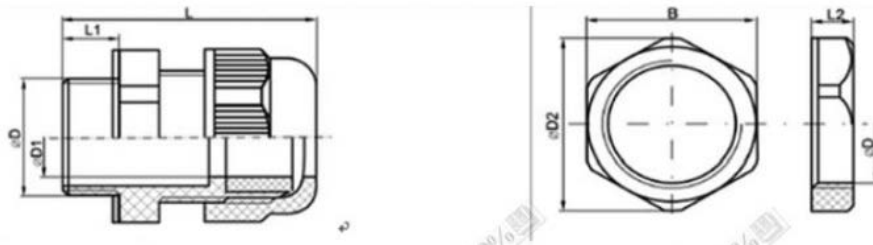
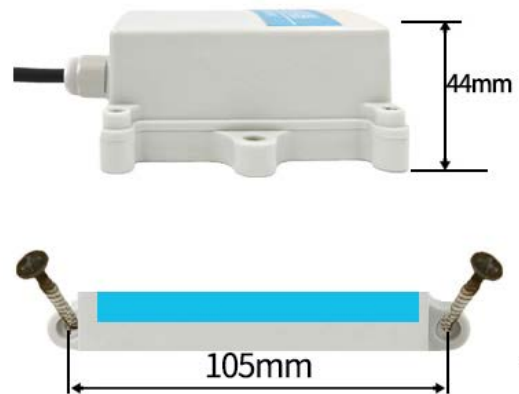
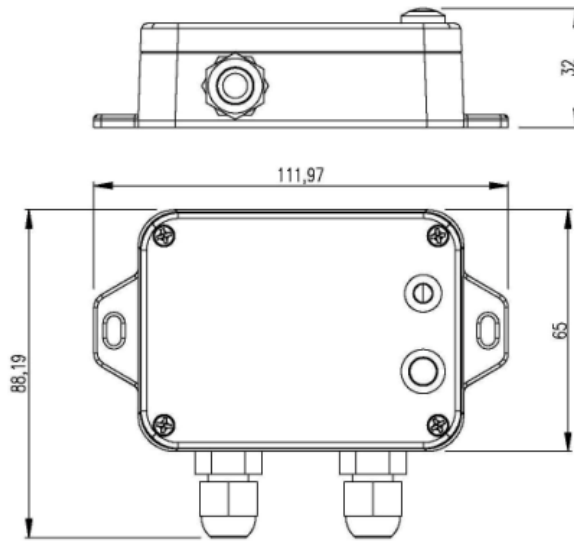
- Adopt SX1276 wireless communication module
- DC 12V adapter power supply
- Main unit protection class IP65
- The base is equipped with a magnet that can be attached to the iron object
- RS485 communication
- Compatible with LoRaWAN™ Class A
- Frequency hopping spread spectrum technology
- Applicable to third-party platforms: Actility / ThingPark, TTN, MyDevices / Cayenne

Application

- O₃ concentration detection

Wireless O3 Sensor

Dimensions



Model	D(mm)	B(mm)	D2(mm)	L(mm)	L1(mm)	L2(mm)
M12	11.8	17.8	19.5	30.3	8	5

Wireless O3 Sensor

Electrical characteristics

Power Supply	DC 12V adapter power supply
Working Current	55mA (external sensor)

* Specific electrical characteristics will vary depending on the power supply voltage

O₃ sensor parameters

O ₃ Measurement Range	0- 20ppm
O ₃ Measurement Method	Electrochemical sensors
O ₃ Repeatability	≤± 3 % of reading (@25 ° C)
Detectable Lower Limit	< 20ppb
Response Time	Usually less than 15 seconds
Service Life	1 year
Communication Port	RS485

Radio Frequency Characteristics

Frequency Range	863MHz-928MHz 470MHz-510MHz
Power Output	US915 20dbm; AS923 16dbm; AU915 20dbm; CN470 19.15dbm; EU868 16dbm; KR920 14dbm; IN865 20dbm;
Receiving Sensitivity	-136dBm (LoRa, Spreading Factor=12, Bit Rate = 293bps); -121 dBm (FSK, Frequency deviation=5kHz, Bit Rate=1.2kbps)
Antenna Type	Built-in antenna
Communication Distance	10 km (visible linear obstacle-free transmission distance, actual transmission distance depends on the environment)

Wireless O3 Sensor

Data Transfer Rate	0.3kbps to 50k bps
Modulation System Mode	LoRa / FSK (Note: choose one of them)
Supportable LoRaWAN Band	EU863-870 , US902-928 , AU915-928, KR920-923, AS923, CN470-510 (Note: The frequency band is optional and needs to be configured before shipment)

Physical Characteristics

Main Unit Size	Main part - L: 112 mm*W: 88.19 mm*H: 32 mm O3 Sensor - L: 110 mm*W: 85 mm*H: 44mm O3 Sensor Waterproof (white) - D: 19.5mm*L: 30.3mm - M12*1.5 (Screw Thread)
Ambient Temperature Range	-20 °C to 55°C
Main Unit Weight	About 160g
Ambient Humidity Range	< 90% RH (No condensation)
Storage Temperature Range	-40 °C ~ 85 °C