

# Wireless Light Sensor and 1-Phase Current Meter with 1x630A Clamp-On CT

## R718NL163 Data Sheet

---

Wireless Sensor Network Based on LoRa Technology



Figure1 R718NL163 Appearance

### Copyright©Netvox Technology Co., Ltd.

This document contains proprietary technical information which is the property of NETVOX Technology and is issued in strict confidential and shall not be disclosed to others parties in whole or in parts without written permission of NETVOX Technology.

The specifications are subjected to change without prior notice.

## Introduction

The NETVOX Wireless Light Sensor and 1-Phase Current Meter with 1x630A Clamp-On CT is used to detect single-phase electrical input current and ambient light intensity detection.

The device is compatible with the LoRaWAN protocol, and integrates a chip module that conforms to the LoRaWAN wireless protocol to display the collected data in the gateway.

The device adopts the split-core current transformer, which can be conveniently connected to the measuring device.

## Working Principle

This device is equipped with an external current transformer. The current transformer is a transformer that produces a proportional secondary low-side current to the primary high-side one to sense the current. This device guarantees users' safety, as it monitors the secondary low-side current and built-in a light sensor to detect ambient light intensity.

## Main Characteristics

- Apply SX1276 wireless communication module
- 2 section of ER14505 battery (3.6V / section) in parallel
- Protection level: Main body IP53; Clamp-On CT IP30
- The base is attached with a magnet that can be attached to a ferromagnetic material object
- The clamp-on CT allows easier installation to the device you would like to detect the current from
- LoRaWAN™ Class A compatible
- Frequency Hopping Spread Spectrum (FHSS)
- Third-Party online wireless sensor monitoring and notification system to configure sensors, view data and set alerts via SMS text and email (optional)
- Available third-party platform: Actility/ThingPark, TTN, MyDevices/Cayenne
- Low power consumption and longer battery life

Battery Life:

Please refer to web: [http://www.netvox.com.tw/electric/electric\\_calc.html](http://www.netvox.com.tw/electric/electric_calc.html)

At this website, users can find battery life time for various models at different configurations.

1. Actual range may vary depending on environment.
2. Battery life is determined by sensor reporting frequency and other variables

## Applications

- Indoor current detecting devices for homes, hotels, office buildings, shopping malls, etc.
- The environment that needs to detect the light intensity
- Smart city
- Thermal system devices

## Electrical Characteristics

Power supply	2 section of ER14505 battery in parallel (3.6V 2200mAh/ section)
Battery life	Battery life are 5 years (condition: ambient temperature 25 °C, report once every 30 mins, txpower = 20dBm, LoRa spreading factor SF = 10)
Stand-by current	36uA
Wake-up current	7mA
Battery measurement accuracy	± 0.1V
Current measurement error value	<± 1%
Current resolution	1mA
Current measurement accuracy	5A to 630 A (varies according to the configuration of the current transformer)

## R100H Module Characteristics

Wake up current	(0.8mA-8mA)/ 3.3V
RF receiving current	11 mA / 3.3V
RF emission current	120 mA / 3.3V

\*Specific electrical characteristics may vary depending on the power supply voltage

## Frequency

Frequency range	863MHz-928MHz 470MHz-510MHz
TX Power	US915 20dbm; AS923 16dbm; AU915 20dbm; CN470 19.15dbm; EU868 16dbm; KR920 14dbm; IN865 20dbm;
Receiving sensitivity	-136 dBm (LoRa, Spreading Factor = 12, Bit Rate = 293bps); -121 dBm (FSK, Frequency deviation = 5kHz, Bit Rate = 1.2kbps)
Antenna type	Built-in antenna
Communication distance	10 km (The actual transmission distance depends on the environment.)
Data transfer rate	0.3 kbps ~ 50 kbps (LoRaWAN) 1.2 kbps ~ 300 kbps (FSK)
Modulation system mode	LoRa / FSK (Note: you can choose one of them)
Available LoRaWAN Band	EU863-870, US902-928, AU915-928, KR920-923, AS923, CN470-510, IN865 (Note: optional, to be done in the factory configuration)

## Split-core Current Transformer Parameters

Rated primary input current	300A , 50Hz ~ 60Hz
Rated secondary output current	50mA
Saturation current	≥630A
Transformation ratio	6000: 1
Load resistance	10 Ω
Accuracy	1% (5A-720A)
Isolation withstand voltage	3000V
Housing material	Flame retardant grade 94-V0 UL material
Environmental protection	ROHS compliant
Operating temperature	-40 °C ~ + 85 °C

**Light Sensor**

Supply Voltage Range	1.7VDC-3.6VDC
Light Sensor Model	LTR-308ALS-01 (LITEON)
Illuminance Range	0.01 LUX - 157K LUX
Illuminance Accuracy	± 20%: Under sunlight. ± 10%: Under stable and controlled light source conditions, such as white LED lamp, 6500K, room temperature.
Communication Method	I2C communication

**Physical**

Dimension	Main body: L:112 mm * W:88.19 mm * H:32 mm CT Sensor: H:84.8mm * L:40.8mm * W:48mm
Main Body Weight	141 g
CT Sensor Weight	365.4 g
CT Sensor External Wiring Length	900mm
Ambient Operating Temperature Range	-20°C ~ 55°C
Ambient Storage Temperature Range	-40°C ~ 85°C
Ambient Humidity Range	<90% RH (No condensation)
Fixed Way	Screw / magnet

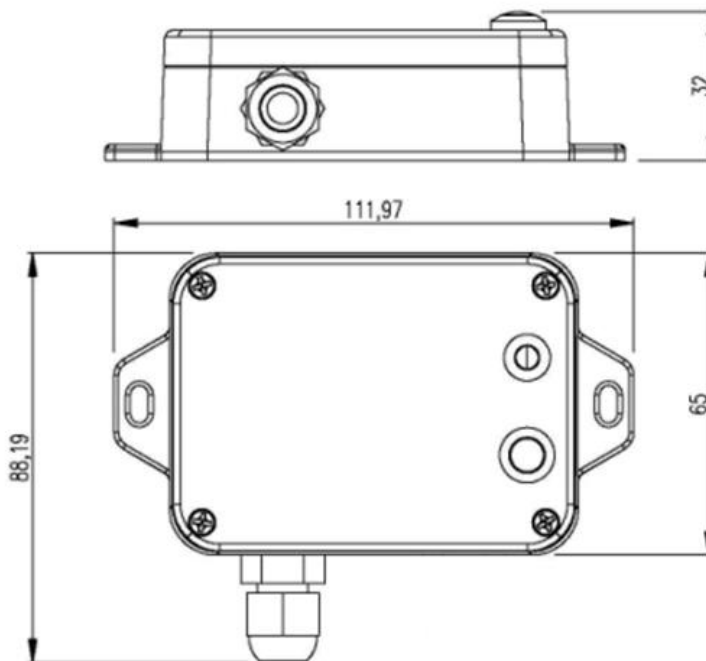


Figure2 Main Body Dimension (Subject to the object)

L:112 mm \* W:88.19 mm \* H:32 mm

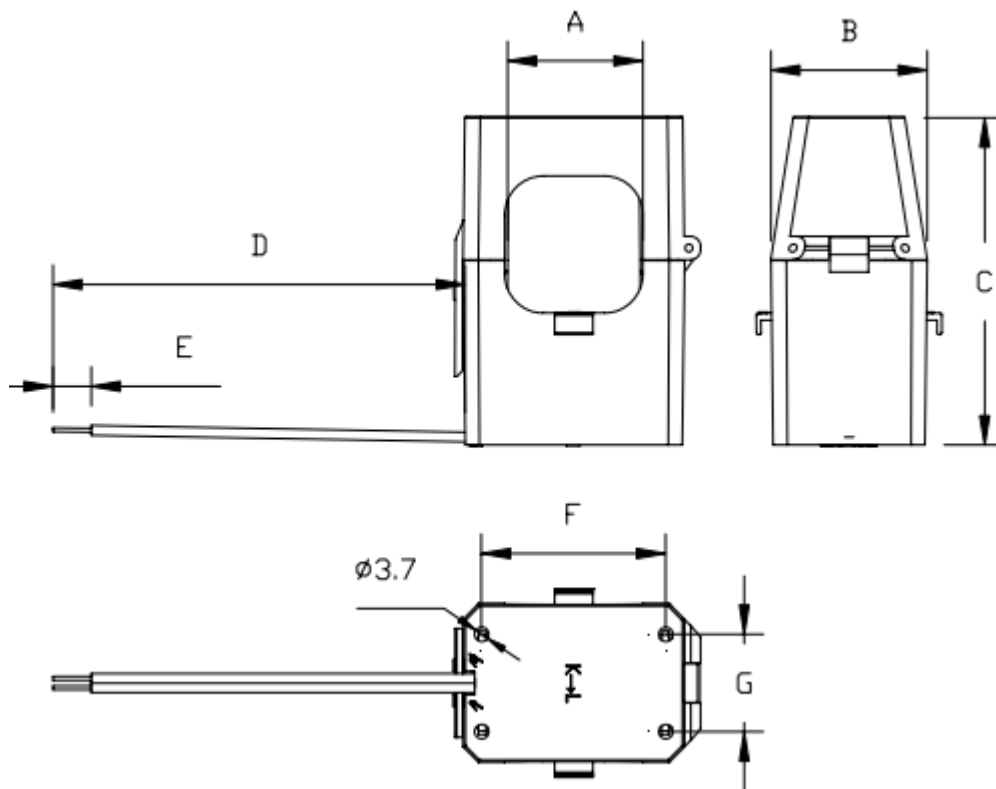


Figure3 Clamp-on CT Dimension

H:84.8mm \* L:40.8mm \* W:48mm

A	B	C	D	E	F	G
35±0.5	40.3±0.3	84.8 max	900±30	6±1	48±0.3	25±0.3