

Wireless 3-Phase Current Meter

R718N3xxx(E) Series User Manual

Copyright©Netvox Technology Co., Ltd.

This document contains proprietary technical information which is the property of NETVOX Technology. It shall be maintained in strict confidence and shall not be disclosed to other parties, in whole or in part, without written permission of NETVOX Technology. The specifications are subject to change without prior notice.

Table of Contents

1. Introduction	2
2. Appearance	3
3. Features	5
4. Set up Instruction.....	6
5. Data Report	7
5.1 Example of ReportDataCmd	8
5.2 Example of Threshold Alarm.....	10
5.3 Example of ConfigureCmd	11
5.4 Example of SetRportType	12
5.5 Example of SetSensorAlarmThresholdCmd	13
5.6 Example of NetvoxLoRaWANRejoin.....	14
5.7 Example for MinTime/MaxTime logic	15
6. Installation.....	17
7. Information about Battery Passivation	20
7.1 To determine whether a battery requires activation.....	20
7.2 How to activate the battery	20
8. Important Maintenance Instruction.....	21

1. Introduction

The R718N3xxx(E) series is a 3-Phase Current Meter device for Netvox Class A type devices based on the LoRaWAN open protocol and is compatible with the LoRaWAN protocol. R718N3xxx(E) series have different measuring ranges for CTs. It is divided into:

Model	Name	CT cables
R718N37	Wireless 3-Phase Current Meter with 3 x 75A Clamp-On CT	-
R718N37E		Detachable cables
R718N315	Wireless 3-Phase Current Meter with 3 x 150A Clamp-On CT	-
R718N315E		Detachable cables
R718N325	Wireless 3-Phase Current Meter with 3 x 250A Clamp-On CT	-
R718N325E		Detachable cables
R718N363	Wireless 3-Phase Current Meter with 3 x 630A Clamp-On CT	-
R718N363E		Detachable cables
R718N3100	Wireless 3-Phase Current Meter with 3 x 1000A Clamp-On CT	-
R718N3100E		Detachable cables
R718N3300	Wireless 3-Phase Current Meter with 3 x 3000A Clamp-On CT	-

LoRa Wireless Technology

LoRa is a wireless communication technology famous for its long-distance transmission and low power consumption. Compared with other communication methods, LoRa spread spectrum modulation technique greatly extend the communication distance. It can be widely used in any use case that requires long-distance and low-data wireless communications. For example, automatic meter reading, building automation equipment, wireless security systems, industrial monitoring. It has features like small size, low power consumption, long transmission distance, strong anti-interference ability and so on.

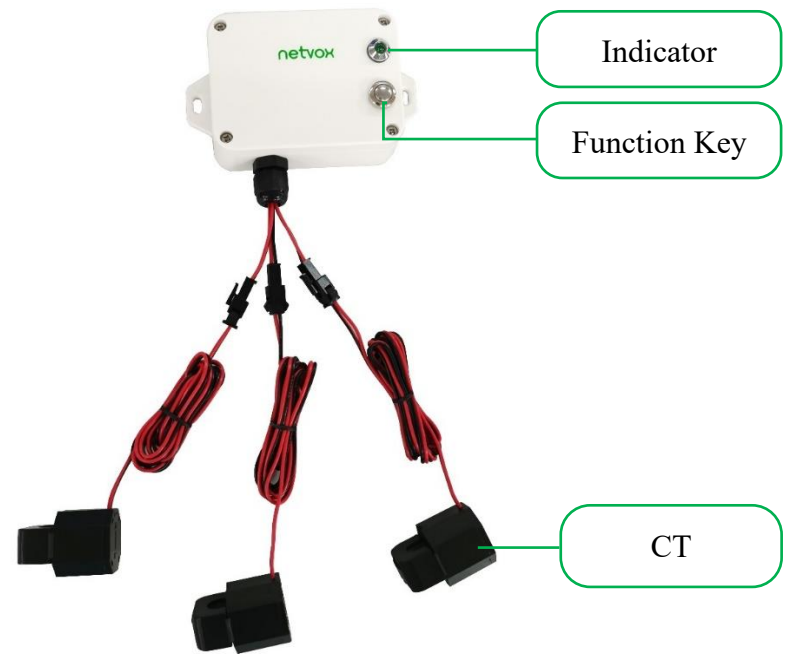
LoRaWAN

LoRaWAN uses LoRa technology to define end-to-end standard specifications to ensure interoperability between devices and gateways from different manufacturers.

2. Appearance



R718N37 (Non-detachable cables)



R718N37E (Detachable cables)



R718N315 (Non-detachable cables)



R718N315E (Detachable cables)



R718N325 (Non-detachable cables)



R718N325E (Detachable cables)



R718N363 (Non-detachable cables)



R718N363E (Detachable cables)



R718N3100 (Non-detachable cables)



R718N3100E (Detachable cables)



R718N3300 (Non-detachable cables)

3. Features

- SX1276 wireless communication module.
- 2 x ER14505 lithium battery in parallel (3.6V/section)
- 3-phase current meter detection
- Only support AC current measuring
- Magnetic base
- Main body: IP53; Current transformer: IP30
- LoRaWAN™ Class A compatible
- Frequency Hopping Spread Spectrum (FHSS)
- Available third-party platform: Actility/ThingPark, TTN, MyDevices/Cayenne
- Low power consumption and long battery life

Note:

Please refer to web: http://www.netvox.com.tw/electric/electric_calc.html. Users can find battery lifetime for various models at different configurations on this website.

1. The actual range may vary depending on the environment.
2. Battery life is determined by sensor reporting frequency and other variables.

4. Set up Instruction

On/Off

Power on	Insert batteries. (Users may need a screwdriver to open the battery cover.)
Turn on	Press and hold the function key for 3 seconds until the green indicator flashes once.
Turn off (Reset to factory setting)	Press and hold the function key for 5 seconds until green indicator flashes 20 times.
Power off	Remove Batteries.
Note	<ol style="list-style-type: none"> 1. The device will be off in default after removing the battery and insert it again. 2. It is suggested to wait for 10 seconds between turning on and off the device. 3. 5 seconds after power on, the device will be in engineering test mode.

Network Joining

Never joined the network	<p>Turn on the device and search for the network to join.</p> <p>The green indicator light stays on for 5 seconds: Success</p> <p>The green indicator light remains off: Fail</p>
Had joined the network (without factory resetting)	<p>Turn on the device, and it will search for the previous network to join.</p> <p>The green indicator light stays on for 5 seconds: Success</p> <p>The green indicator light remains off: Fail</p>
Fail to Join the Network	Suggest to check the device verification information on the gateway or consult your platform server provider.

Function Key

Press the function key and hold for 5 seconds	<p>The device will be set to default and turned off</p> <p>The green indicator light flashes 20 times: success</p> <p>The green indicator light remains off: fail</p>
Press the function key once	<p>The device is in the network: green indicator light flashes once and sends a report</p> <p>The device is not in the network: green indicator light remains off</p>

Sleeping Mode

The device is turned on and in the network	<p>Sleep period: Min Interval.</p> <p>When the reportchange exceeds setting value or the state changes, the device would send a data report based on Min Interval.</p>
--	--

Low Voltage Warning

Low Voltage	3.2V
-------------	------

5. Data Report

The device will immediately send a version packet report along with two uplink packets including 3-phase current value and battery voltage.

The device sends data in the default configuration before any configuration is done.

Default setting:

Max Interval = 0x0E10 (3600s)

Min Interval = 0x0E10 (3600s)

CurrentChange = 0x0064 (100 mA)

Three-phase current detection:

The device would detect and send report of the current value as the function key is triggered or in configuration.

Measurement Range and Accuracy:

	CT	Measurement Range	Accuracy
R718N37(E)	Clamp-on	100mA to 75A	±1% (measurement range: 300mA to 50A)
R718N315(E)		1A to 150A	±1%
R718N325(E)		1A to 250A	
R718N363(E)		10A to 630A	
R718N3100(E)		10A to 1000A	
R718N3300		150A to 3000A	

Note: Current transformer (measurement range $\leq 75A$): report data as 0 when the current $< 100mA$.

Current transformer (measurement range $> 75A$): report data as 0 when the current $< 1A$.

Please refer to Netvox *LoRaWAN Application Command document* and *Netvox Lora Command Resolver*

<http://www.netvox.com.cn:8888/cmddoc> to resolve uplink data.

Data report configuration and sending period are as follows:

Min. Interval (Unit: second)	Max. Interval (Unit: second)	Reportable Change	Current Change \geq Reportable Change	Current Change $<$ Reportable Change
Any number between 1 to 65535	Any number between 1 to 65535	Cannot be 0	Report per Min. Interval	Report per Max. Interval

5.1 Example of ReportDataCmd

FPort: 0x06

Bytes	1	1	1	Var (Fix=8 Bytes)
	Version	DeviceType	ReportType	NetvoxPayloadData

Version– 1 byte –0x01—the Version of NetvoxLoRaWAN Application Command Version

DeviceType– 1 byte – Device Type of Device

ReportType – 1 byte –the presentation of the NetvoxPayloadData, according the devicetype

NetvoxPayloadData– Fixed bytes (Fixed =8bytes)

Tips

1. Battery Voltage:

The voltage value is bit 0 ~ bit 6, bit 7=0 is normal voltage, and bit 7=1 is low voltage.

Battery=0xA0, binary=1010 0000, if bit 7= 1, it means low voltage.

The actual voltage is 0010 0000 = 0x20 = 32, 32*0.1v =3.2v

2. Version Packet:

When Report Type=0x00 is the version packet, such as 014A000A02202207080000, the firmware version is 2022.07.08.

3. Current Value:

The maximum payload of Current is 2 bytes, which means the maximum value that can be shown is 65535mA. To get the actual current value, the current needs to time Multiplier as it exceeds 65535mA.

4. Multiplier:

When ReportTypeSet=0x00 (reporttype1&2), R718N3xxx(E) will report two data packets, and the multiplier will be either 1 or 10;

When ReportTypeSet=0x01 (reporttype3), R718N3xxx(E) will report one data packet, and the multiplier will be either 1,5,10 or 100.

(1) When ReportTypeSet=0x00 (reporttype1&2), R718N3xxx(E) will report two data packets.

Device	Device Type	Report Type	NetvoxPayloadData				
R718N3xxx(E) Series	0x4A	0x00	SoftwareVersion (1Byte) Eg.0x0A—V1.0	HardwareVersion (1Byte)	DateCode (4Bytes, eg 0x20170503)	Reserved (2Bytes, fixed 0x00)	
		0x01	Battery (1Byte, unit:0.1V)	Current1 (2Bytes, unit:1mA)	Current2 (2Bytes, unit:1mA)	Current3 (2Bytes, unit:1mA)	Multplier1 (1Byte)
		0x02	Battery (1Byte, unit:0.1V)	Multplier2 (1Byte)	Multplier3 (1Byte)	Reserved (5Bytes, fixed 0x00)	

Uplink:

Packet 1: 014A019F05DD05D41B5801

Packet 2 : 014A029F010A0000000000

1st byte (01): Version

2nd byte (4A): DeviceType - R718N3xxx(E) Series

3rd byte (01): ReportType

4th byte (9F): Battery – 3.1V (low voltage), 9F (Hex) = 1001 1111(Bin) >> 1F(Hex) =31(Dec), 31*0.1v=3.1v
↑
// if bit 7= 1, it means low voltage.

5th-6th byte (05DD): Current1 –05DD (Hex) = 1501 (Dec), 1501* 1mA = 1501mA

7th-8th byte (05D4): Current2 – 05D4 (Hex) = 1492 (Dec), 1492* 1mA = 1492mA

9th-10th byte (1B58): Current3 – 1B58 (Hex) = 7000 (Dec), 7000mA*10=70000mA (70A)

11th byte (01): Multiplier1 – 1

1st byte (01): Version

2nd byte (4A): DeviceType – R718N3xxx(E) Series

3rd byte (02): ReportType

4th byte (9F): Battery – 3.1V (low voltage) , 9F (Hex) = 1001 1111(Bin) >> 1F(Hex) =31(Dec), 31*0.1v=3.1v
↑
// if bit 7= 1, it means low voltage.

5th byte (01): Multiplier2 – 1

6th byte (0A): Multiplier3 – 10

7th-11th byte (0000000000): Reserved

(2) When ReportTypeSet=0x01 (reporttype3), R718N3xxx(E) will report one data packet.

Device	Device Type	Report Type	NetvoxPayLoadData				
R718N3xxx(E) Series	0x4A	0x03	Battery (1Byte, unit:0.1V)	Current1 (2Bytes, Unit:1mA)	Current2 (2Bytes, Unit:1mA)	Current3 (2Bytes, Unit:1mA)	Multiplier (1Byte) BIT0-1: Multiplier1 (0b00_1,0b01_5,0b10_10,0b11_100) BIT2-3: Multiplier2 (0b00_1,0b01_5,0b10_10,0b11_100) BIT4-5: Multiplier3 (0b00_1,0b01_5,0b10_10,0b11_100) BIT6-7: Reserved

Uplink:

Packet: 014A039F05DD05D436B010

1st byte (01): Version

2nd byte (4A): DeviceType – R718N3xxx(E) Series

3rd byte (03): ReportType

4th byte (9F): Battery – 3.1V (low voltage), 9F (Hex) = 1001 1111(Bin) >> 1F(Hex) = 31(Dec), 31*0.1v=3.1v
↑
// if bit 7= 1, it means low voltage.

5th-6th byte (05DD): Current1 – 05DD (Hex) = 1501 (Dec), 1501* 1mA = 1501mA

7th-8th byte (05D4): Current2 – 05D4 (Hex) = 1492 (Dec), 1492* 1mA = 1492mA

9th-10th byte (36B0): Current3 – 36B0 (Hex) = 14000(Dec), 14000mA*5 = 70000mA (70A)

11th byte (10): Multiplier1=1 Multiplier2 = 1, Multiplier3 = 5

// 0x10 = 00 01 00 00 (Bin)
 / | \
 Bit4-5 Bit2-3 Bit0-1

5.2 Example of Threshold Alarm

FPort: 0x06

Device	Device Type	Report Type	NetvoxPayLoadData		
R718N3xxx(E) Series	0x4A	0x04	Battery (1Byte, unit:0.1V)	ThresholdAlarm(1Byte, Bit0_LowCurrent1Alarm, Bit1_HighCurrent1Alarm, Bit2_LowCurrent2Alarm, Bit3_HighCurrent2Alarm, Bit4_LowCurrent3Alarm, Bit5_HighCurrent3Alarm	Reserved (5Bytes, fixed 0x00)

Uplink:

014A049F01000000000000

1st byte (01): Version

2nd byte (4A): DeviceType – R718N3xxx(E) Series

3rd byte (04): ReportType

4th byte (9F): Battery – 3.1V (low voltage) , 9F (Hex) = 1001 1111(Bin) >> 1F(Hex) = 31(Dec), 31*0.1v=3.1v
// if bit 7= 1, it means low voltage.

5th byte (01): ThresholdAlarm – bit 0=1 LowCurrent1 Alarm

// 0x01 = 00000001 (Bin)
 \
 Bit0

6th-11th byte (000000000000): Reserved

5.3 Example of ConfigureCmd

FPort: 0x07

Bytes	1	1	Var(Fix =9 Bytes)
	CmdID	DeviceType	NetvoxPayloadData

CmdID– 1 byte

DeviceType– 1 byte – Device Type of Device

NetvoxPayloadData– var bytes (Max=9bytes)

Description	Device	CmdID	Device Type	NetvoxPayloadData			
Config ReportReq	R718N3xxx(E) Series	0x01	0x4A	MinTime (2bytes Unit:s)	MaxTime (2bytes Unit:s)	CurrentChange (2byte Unit:1mA)	Reserved (3Bytes,Fixed 0x00)
Config ReportRsp		0x81		Status (0x00_success)		Reserved (8Bytes,Fixed 0x00)	
ReadConfig ReportReq		0x02		Reserved (9Bytes,Fixed 0x00)			
ReadConfig ReportRsp		0x82		MinTime (2bytes Unit:s)	MaxTime (2bytes Unit:s)	CurrentChange (2byte Unit:1mA)	Reserved (3Bytes,Fixed 0x00)

(1) Configure device parameters MinTime = 60s (0x003C), MaxTime = 60s (0x003C), CurrentChange = 100mA (0x0064)

Downlink: 014A003C003C0064000000

The device returns:

814A00000000000000000000 (Configuration successful)

814A01000000000000000000 (Configuration failed)

(2) Read device configuration parameters

Downlink: 024A00000000000000000000

The device returns:

824A003C003C0064000000 (Current device configuration parameters)

5.4 Example of SetRportType

FPort: 0x07

Set the R718N3xxx(E) data to send either one or two packets.

Description	Device	CmdID	Device Type	NetvoxPayLoadData	
SetRportTypeReq	R718N3xxx(E) Series	0x03	0x4A	ReportTypeSet (1Byte) 0x00_reporttype1&2 0x01_reporttype3	Reserved (8Bytes,Fixed 0x00)
SetRportTypeRsp		0x83		Status (0x00_success)	Reserved (8Bytes,Fixed 0x00)
GetRportTypeReq		0x04		Reserved (9Bytes,Fixed 0x00)	
GetRportTypeRsp		0x84		ReportTypeSet (1Byte) 0x00_reporttype1&2 0x01_reporttype3	Reserved (2Bytes,Fixed 0x00)

Note :

- Remain the last configuration when the device is reset back to factory setting.
- Report Type = 0x00 is two packets. (Default)
- Report Type = 0x01 is one packet.
- Firmware after 2022.08.24 supports SetRportTypeReq

(1) Configure ReportTypeSet =0x01

Downlink: 014A010000000000000000 // 0x01 Uplink return one packet.

The device returns:

834A000000000000000000 (Configuration successful)

834A010000000000000000 (Configuration failed)

(2) Read device configuration parameters.

Downlink: 044A0000000000000000

The device returns:

844A010000000000000000 (Current device configuration parameters)

5.5 Example of SetSensorAlarmThresholdCmd

Fport:0x10

CmdDescriptor	CmdID (1Byte)	Payload (10Bytes)			
SetSensorAlarm ThresholdReq	0x01	Channel(1Byte) 0x00_Channel1 0x01_Channel2 0x02_Channel3	SensorType(1Byte) 0x00_Disable ALL 0x27_Current	SensorHighThreshold (4Bytes,Unit:1mA)	SensorLowThreshold (4Bytes,Unit:1mA)
SetSensorAlarm ThresholdRsp	0x81	Status (0x00_success)		Reserved (9Bytes,Fixed 0x00)	
GetSensorAlarm ThresholdReq	0x02	Channel(1Byte) 0x00_Channel1 0x01_Channel2 0x02_Channel3	SensorType(1Byte) 0x00_Disable ALL 0x27_Current	Reserved (8Bytes,Fixed 0x00)	
GetSensorAlarm ThresholdRsp	0x82	Channel(1Byte) 0x00_Channel1 0x01_Channel2 0x02_Channel3	SensorType(1Byte) 0x00_Disable ALL 0x27_Current	SensorHighThreshold (4Bytes,Unit:1mA)	SensorLowThreshold (4Bytes, Unit: 1mA)

Note :

- Set SensorHigh/LowThreshold as 0xFFFFFFFF to disable threshold.
- Remain the last configuration when the device is reset back to factory setting.
- Firmware after 2023.07.31 supports Set/GetSensorAlarmThresholdCmd
- Current1 uses channel 1 (0x00), Current2 uses channel 2 (0x01), and Current3 uses channel 3 (0x02).

(1) SetSensorAlarmThresholdReq

Set Current1 HighThreshold to 500mA, LowThreshold to 100mA

Downlink: 010027000001F400000064 //1F4 (Hex) = 500 (Dec), 500* 1mA = 500mA;

64 (Hex) = 100 (Dec), 64* 1mA = 64mA

Response: 8100000000000000000000

(2) GetSensorAlarmThresholdReq

Downlink: 0200270000000000000000

Response: 820027000001F400000064

(3) Disable all sensor thresholds for channel 1.

Configure the Sensor Type to 0

Downlink: 010000000000000000000000

Response: 810000000000000000000000

5.6 Example of NetvoxLoRaWANRejoin

Check if the device is still in the network. If the device is disconnected, it will automatically rejoin back to the network.

Fport: 0x20

CmdDescriptor	CmdID (1 byte)	Payload (5 bytes)	
SetNetvoxLoRaWANRejoinReq	0x01	RejoinCheckPeriod(4 Bytes, Unit: 1s)	RejoinThreshold(1 Byte)
SetNetvoxLoRaWANRejoinRsp	0x81	Status (1 Byte, 0x00_success)	Reserved (4 Bytes, Fixed 0x00)
GetNetvoxLoRaWANRejoinReq	0x02	Reserved (5 Bytes, Fixed 0x00)	
GetNetvoxLoRaWANRejoinRsp	0x82	RejoinCheckPeriod (4 Bytes, Unit: 1s)	RejoinThreshold (1Byte)

Note:

- a. Set RejoinCheckThreshold as 0xFFFFFFFF to stop the device from rejoining the network.
- b. Remain the last configuration when the device is reset back to factory setting.
- c. Default setting: RejoinCheckPeriod = 2 (hr) and RejoinThreshold = 3 (times)
- d. Firmware after 2023.12.07 supports SetNetvoxLoRaWANRejoinReq.

(1) Command Configuration

Set RejoinCheckPeriod = 3600s (0x00000E10), RejoinThreshold = 3 times

Downlink: 0100000E1003

Response:

810000000000 (Configuration success)

810100000000 (Configuration failure)

(2) Read current configuration

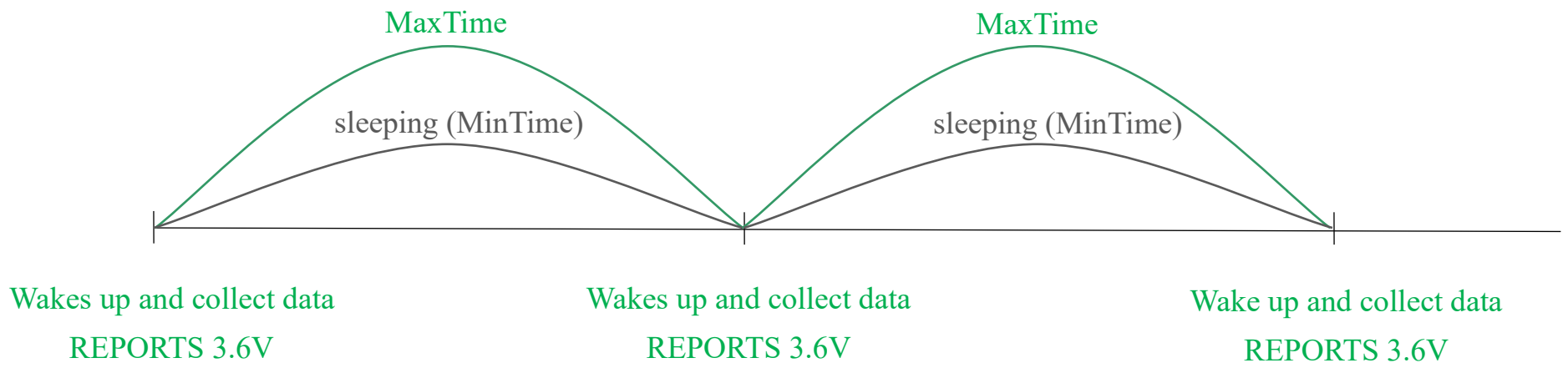
RejoinCheckPeriod, RejoinThreshold

Downlink: 020000000000

Rthe esponse: 8200000E1003

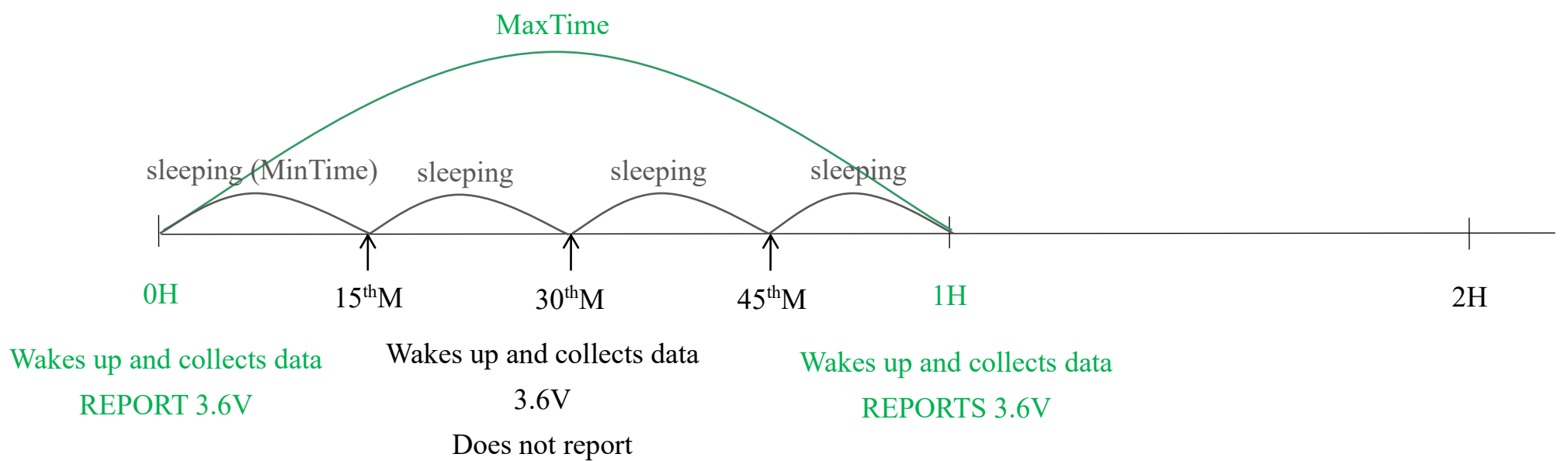
5.7 Example for MinTime/MaxTime logic

Example#1 based on MinTime = 1 Hour, MaxTime= 1 Hour, Reportable Change i.e. BatteryVoltageChange=0.1V

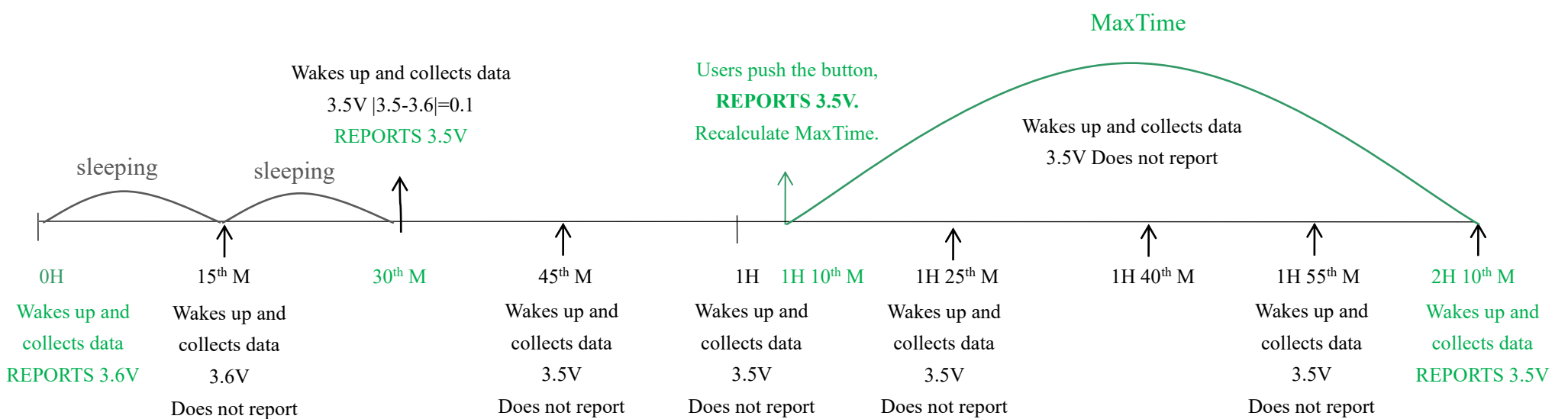


Note: MaxTime=MinTime. Data will only be report according to MaxTime (MinTime) duration regardless BatteryVoltageChange value.

Example#2 based on MinTime = 15 Minutes, MaxTime= 1 Hour, Reportable Change i.e. BatteryVoltageChange= 0.1V.



Example#3 based on MinTime = 15 Minutes, MaxTime= 1 Hour, Reportable Change i.e. BatteryVoltageChange= 0.1V.



Notes :

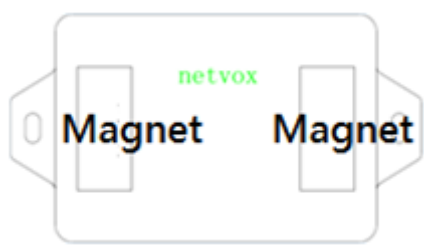
- 1) The device only wakes up and performs data sampling according to MinTime Interval. When it is sleeping, it does not collect data.
- 2) The data collected is compared with the last data reported. If the data variation is greater than the ReportableChange value, the device reports according to MinTime interval. If the data variation is not greater than the last data reported, the device reports according to MaxTime interval.
- 3) We do not recommend to set the MinTime Interval value too low. If the MinTime Interval is too low, the device wakes up frequently and the battery will be drained soon.
- 4) Whenever the device sends a report, no matter resulting from data variation, button pushed or MaxTime interval, another cycle of MinTime/MaxTime calculation is started.

6. Installation

1. The 3-phase current meter R718N3xxx(E) series has a built-in magnet (see Figure 1 below). It can be attached to the surface of an object with iron during installation, which is convenient and quick.

To make the installation more secure, please use screws (purchased separately) to fix the device to the wall or other objects (such as the installation diagram).

Note: Do not install the device in a metal shielded box or in an environment surrounded by other electrical equipment to avoid affecting the wireless transmission of the device.



2. Open the clamp-on current transformer, and then pass the live wire through the current transformer according to the installation.

Note: "L←K" is marked on the bottom of the CT.

3. Precautions:

- Before using, user must check whether the appearance is deformed; otherwise, the test accuracy will be affected.
- The using environment should be kept away from strong magnetic fields, so as not to affect the test accuracy. It is strictly forbidden to use in humid and corrosive gas environments.
- Before installation, please confirm the current value of the load. If the current value of the load is higher than the measurement range, select a model with a higher measurement range.

4. The 3-phase current meter samples the current according to MinTime. If the current value sampled this time relatively exceeds the set value (the default is 100mA) more than the current value reported last time, the device will immediately report the current value sampled this time. If the current variation does not exceed the default value, the data will be reported regularly according to MaxTime.

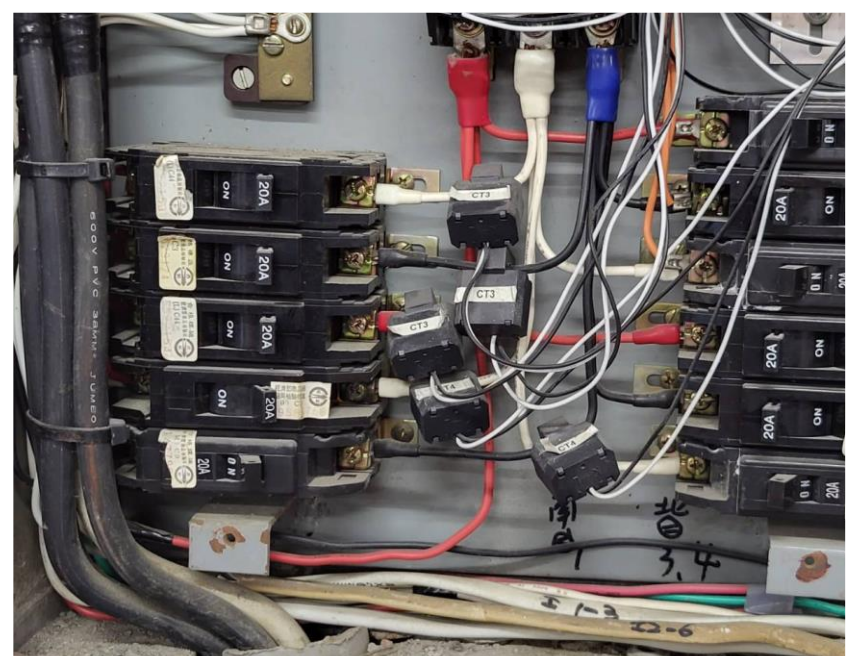
5. Press the [Function Key] of the device to start sampling data and report the data after 3 to 5 seconds.

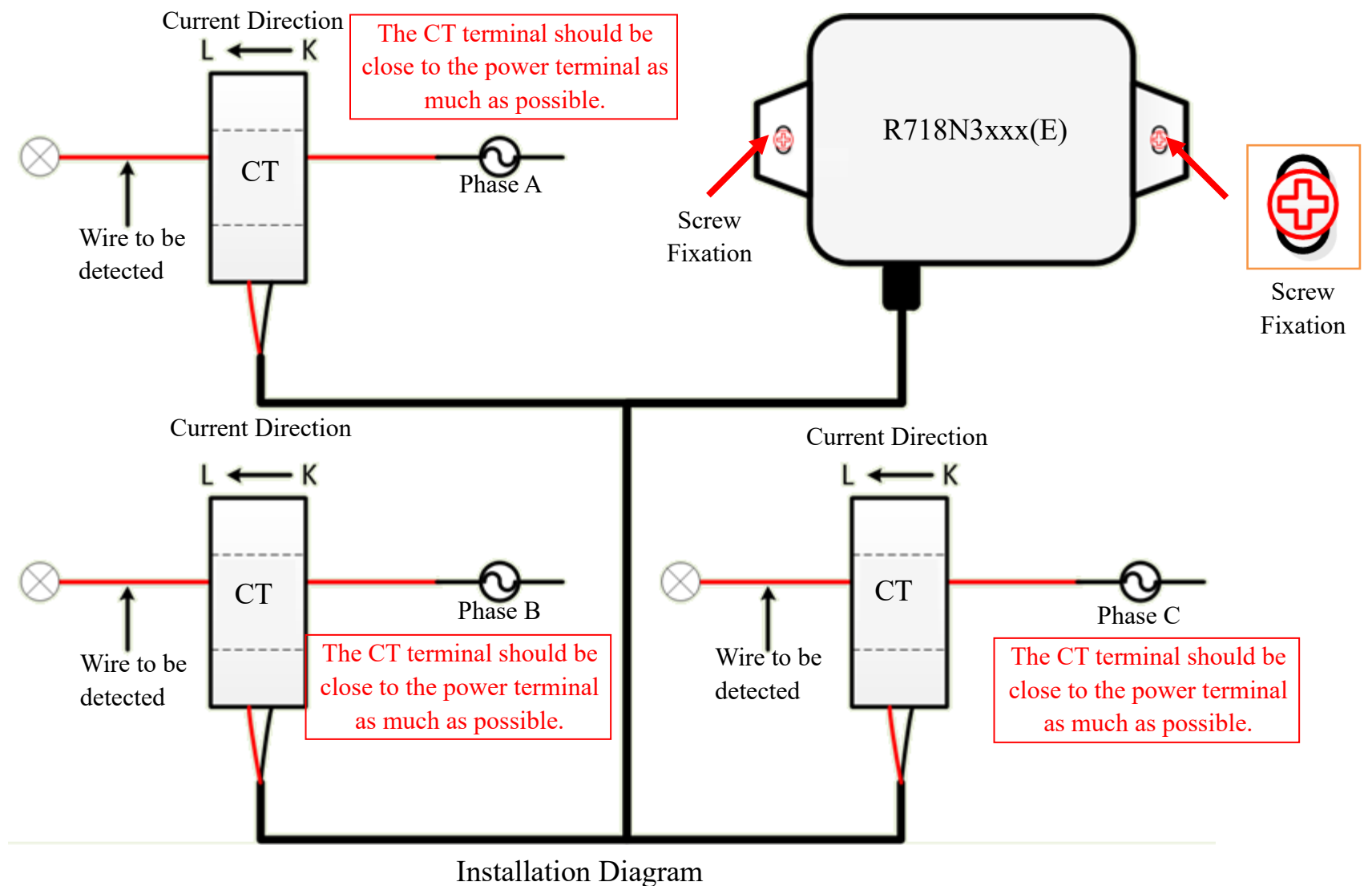
Note: MaxTime must be set greater than Min Time.

The three-phase current detector R718N3xxx(E) is suitable for the following scenarios:

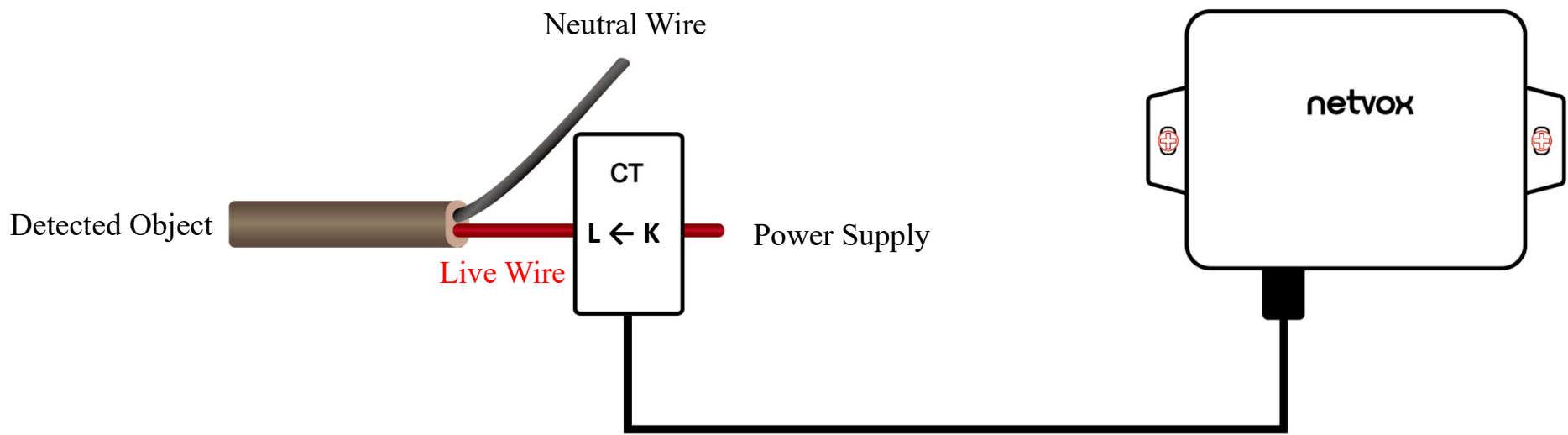
- School
- Factory
- Shopping mall
- Office building
- Smart building

Where the electrical data of the device with the three-phase electricity needs to be detected.

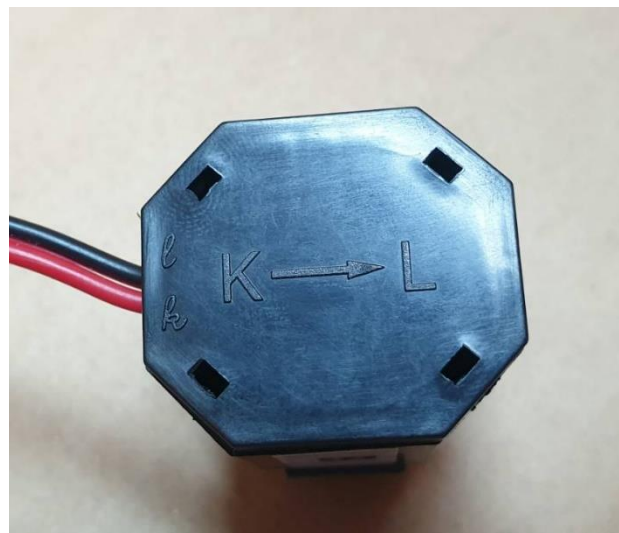




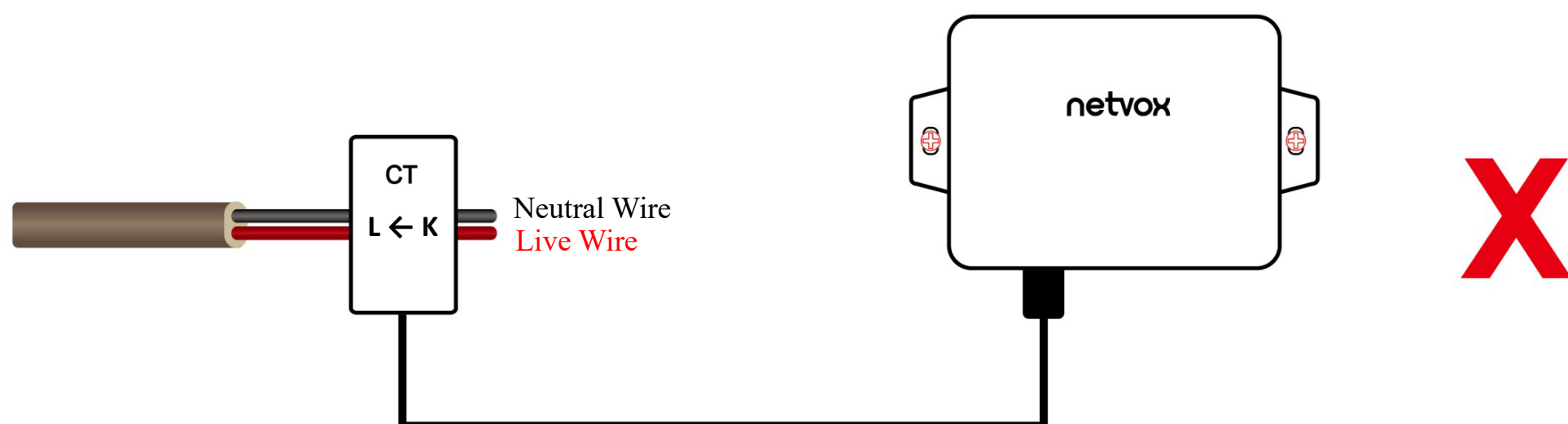
1. When using it, the back of it can be adsorbed on the iron surface, or the two ends can be fixed to the wall with screws.
2. When installing the R718N3xxx(E) series current transformer, please separate the live and neutral wires of the wire to be detected, and only take the live wire through current transformer and start the measurement according to the wiring below:



CT Wiring Schematic Diagram (Current direction $K \rightarrow L$)



If the live wire and the neutral wire are connected together at the same time, they will offset each other and the measurement is 0.



Note:

1. Please do not disassemble the device unless it is required to replace the batteries.
2. Do not touch the waterproof gasket, LED indicator light, function keys when replacing the batteries. Please use suitable screwdriver to tighten the screws (if using an electric screwdriver, it is recommended to set the torque as 4kgf) to ensure the device is impermeable.

7. Information about Battery Passivation

Many of Netvox devices are powered by 3.6V ER14505 Li-SOCl₂ (lithium-thionyl chloride) batteries that offer many advantages including low self-discharge rate and high energy density. However, primary lithium batteries like Li-SOCl₂ batteries will form a passivation layer as a reaction between the lithium anode and thionyl chloride if they are in storage for a long time or if the storage temperature is too high. This lithium chloride layer prevents rapid self-discharge caused by continuous reaction between lithium and thionyl chloride, but battery passivation may also lead to voltage delay when the batteries are put into operation, and our devices may not work correctly in this situation.

As a result, please make sure to source batteries from reliable vendors, and it is suggested that if the storage period is more than one month from the date of battery production, all the batteries should be activated. If encountering the situation of battery passivation, users can activate the battery to eliminate the battery hysteresis.

ER14505 Battery Passivation

7.1 To determine whether a battery requires activation

Connect a new ER14505 battery to a resistor in parallel, and check the voltage of the circuit.

If the voltage is below 3.3V, it means the battery requires activation.

7.2 How to activate the battery

- a. Connect a battery to a resistor in parallel
- b. Keep the connection for 5~8 minutes
- c. The voltage of the circuit should be ≥ 3.3 , indicating successful activation.

Brand	Load Resistance	Activation Time	Activation Current
NHTONE	165 Ω	5 minutes	20mA
RAMWAY	67 Ω	8 minutes	50mA
EVE	67 Ω	8 minutes	50mA
SAFT	67 Ω	8 minutes	50mA

Note:

If you buy batteries from other than the above four manufacturers, then the battery activation time, activation current, and required load resistance shall be mainly subject to the announcement of each manufacturer.

8. Important Maintenance Instruction

Kindly pay attention to the following in order to achieve the best maintenance of the product:

- Do not put the device near or submerge into water. Minerals in rain, moisture, and other liquids could cause corrosion of electronic components. Please dry the device, if it gets wet.
- Do not use or store the device in dusty or dirty environments to prevent damage to parts and electronic components.
- Do not store the device in high temperatures. This may shorten the lifespan of electronic components, damage batteries, and deform plastic parts.
- Do not store the device in cold temperatures. Moisture may damage circuit boards as the temperatures rise.
- Do not throw or cause other unnecessary shocks to the device. This may damage internal circuits and delicate components.
- Do not clean the device with strong chemicals, detergents, or strong detergents.
- Do not apply the device with paint. This may block detachable parts and cause malfunction.
- Do not dispose of batteries in fire to prevent explosion.

The instructions are applied to your device, battery, and accessories.

If any device is not working properly, please bring it to the nearest authorized service provider for repair.