

Wireless Light Sensor R313G Datasheet

Wireless Sensor Network Based on LoRa Technology



Copyright©Netvox Technology Co., Ltd.

This document contains proprietary technical information which is the property of NETVOX Technology. It shall be maintained in strict confidence and shall not be disclosed to other parties, in whole or in part, without written permission of NETVOX Technology. The specifications are subject to change without prior notice.

Introduction

R313G has the built-in light sensor. It can be used for detecting ambient light intensity and can send the ambient illumination value wirelessly. Its wireless communication method complies with the LoRa protocol standard.

Main Characteristic

- 2 sections 3.0V CR2450 button batteries in parallel
- Compatible with LoRaWAN protocol
- Adopt SX1276 wireless communication module
- Illumination Range: 1-3000LUX
- Illumination Accuracy: <15%
- Compatible with LoRaWAN™ Class A
- Frequency hopping spread spectrum
- Configuration parameters can be configured through third-party software platforms, data can be read and alarms can be set via SMS text and email (optional)
- Applicable to the third-party platforms: Actility/ThingPark, TTN, MyDevices/Cayenne
- Low power consumption and long battery life

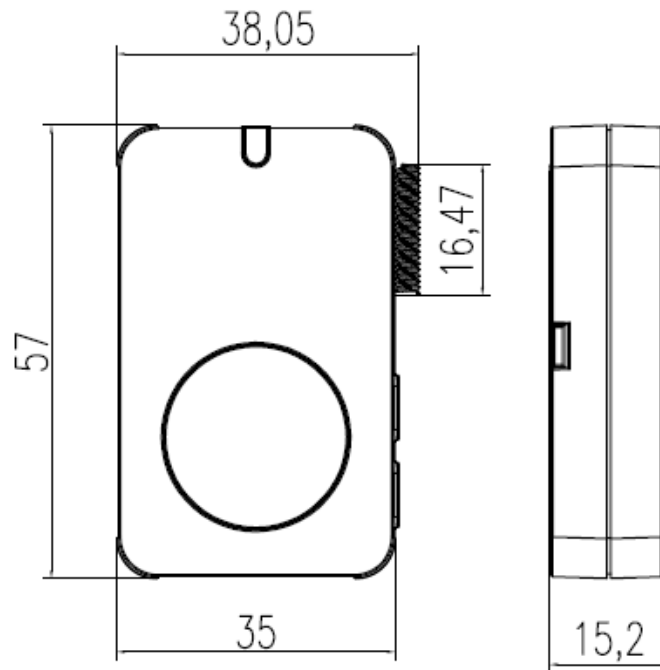
Note*: Battery life is determined by the sensor reporting frequency and other variables, please refer to http://www.netvox.com.tw/electric/electric_calc.html

On this website, users can find battery life of various models in different configurations.

Application

- Smart agriculture
- Light intensity detecting area

Dimension



Electric

Input Power	2 x 3.0V CR2450 button batteries in parallel (The capacity of each CR2450 battery is 620mah.)
Work Voltage Range	DC 2.4 V to 3.0V
Standby Current	12uA/3.0V
Emission Current (max)	120mA / 3.0V
Receiving Current (max)	11mA / 3.0V
Battery Measurement Accuracy	± 0.1V
Illumination Accuracy	<15%

Wireless Light Sensor

Frequency

Frequency Range	863MHz-928MHz 470MHz-510MHz
TX Power	US915 20dbm AS923 16dbm AU915 20dbm CN470 19.15dbm EU868 16dbm KR920 14dbm IN865 20dbm
Receiving Sensitivity	-136dBm (LoRa, Spreading Factor=12, Bit Rate = 293bps) -121dBm (FSK, Frequency deviation=5kHz, Bit Rate=1.2kbps)
Antenna Type	External antenna
Communication Distance	10 km (visible linear obstacle-free transmission distance, actual transmission distance depending on the environment)
Data Transfer Rate	0.3kbps to 50k bps
Modulation Method	LoRa/FSK (Note: choose one of them)
Supportable LoRaWAN Frequency	EU863-870,US902-928,AU915-928,KR920-923,AS923-1, AS923-2,AS923-3,IN865-867,CN470-510 (Note: The frequency band is optional and needs to be configured before shipment)

Physical

Dimension	57 mm x38.05 mm x 15.2 mm
Weight	32.3g
Environment Humidity	<90 %RH (No condensation)
Operating Temperature	-20°C to 55 °C
Storage Temperature	-40°C to 85 °C