

---

**Wireless Activity Timer**

---

# Wireless Activity Timer

---

Wireless Sensor Network Based on LoRa Technology



## R313FC Data Sheet

**Copyright©Netvox Technology Co., Ltd.**

This document contains proprietary technical information which is the property of NETVOX Technology. It shall be maintained in strict confidence and shall not be disclosed to other parties, in whole or in part, without written permission of NETVOX Technology. The specifications are subject to change without prior notice.

---

# Wireless Activity Timer

---

## Description

The device detects the duration of the movement or vibration (timekeeping) and sends the duration or timing information of the movement or vibration to the gateway for processing. The duration of the movement or vibration can be up to 1000 hours (theoretical value). Apply SX1276 wireless communication module.

## Main Feature

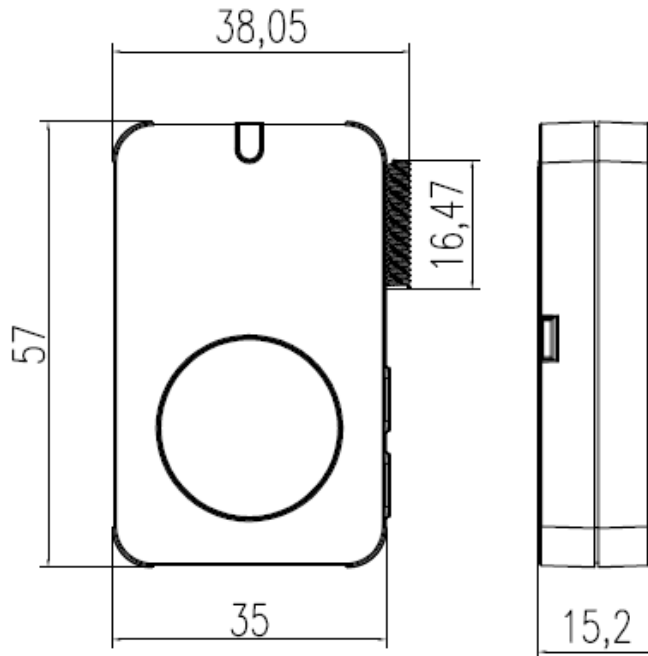
- 2 section 3V CR2450 button battery
- Adopt SX1276 wireless communication module
- LoRaWAN™ Class A compatible
- Frequency Hopping Spread Spectrum (FHSS)
- Third-Party online wireless sensor monitoring and notification system to configure sensors, view data and set alerts via SMS text and email (optional)
- Available third-party platform: Actility/ThingPark, TTN, MyDevices/Cayenne
- Activity Timer
- Battery Life
  - Please refer to web: [http://www.netvox.com.tw/electric/electric\\_calc.html](http://www.netvox.com.tw/electric/electric_calc.html)
  - At this website, users can find battery life time for varier models at different configurations.

## Application

- The duration of the vibration detection
- Others

# Wireless Activity Timer

## Technical Specifications



## Electric

Input Power	2pcs 3.0V CR2450 button battery
Working Voltage	DC 2.4V~3.0V
Standby Current	42 uA /3.0V
Transmitting Current (max)	120 mA / 3.0V
Receiving Current (max)	11 mA / 3.0V
Battery Voltage Measurement Accuracy	±0.1V

## Wireless Activity Timer

### Frequency

TX Power	US915 20dbm ; AS923 16dbm ; AU915 20dbm ; CN470 19.15dbm ; EU868 16dbm ; KR920 14dbm ; IN865 20dbm ;
Rx Sensitivity	-136dBm (LoRa, Spreading Factor=12, Bit Rate=293bps ) -121dBm (FSK,Frequency deviation=5kHz, Bit Rate=1.2kbps)
Antenna Type	External antenna
Communication Range	Up to 10 km, the actual transmission distance depends on the environment.
Data Transfer Rate	0.3kbps ~ 50kbps (LoRa) 1.2kbps ~ 300kbps (FSK)
Spread Technique	LoRa / FSK
Available Frequency	EU863-870,US902-928,AU915-928,KR920-923,AS923-1, AS923-2,AS923-3,IN865-867,CN470-510 (Note: optional, to be done in the factory configuration)

### Physical

Main Body Dimension	57mm x 38.05mm x 15.2mm
Weight	48.9 g
Operating Temperature	-20°C ~ 55°C
Environment Humidity Range	<90% RH (No condensation)
Storage Temperature	-40°C ~ 85°C